

PRODUCT INFORMATION PACKET

Model No: 048A11O1167
Catalog No: X258
1/3,1075,OPAO,48Y,1/60/208-230
Direct Drive



Regal and Marathon are trademarks of Regal Beloit Corporation or one of its affiliated companies.
©2018 Regal Beloit Corporation, All Rights Reserved. MC017097E



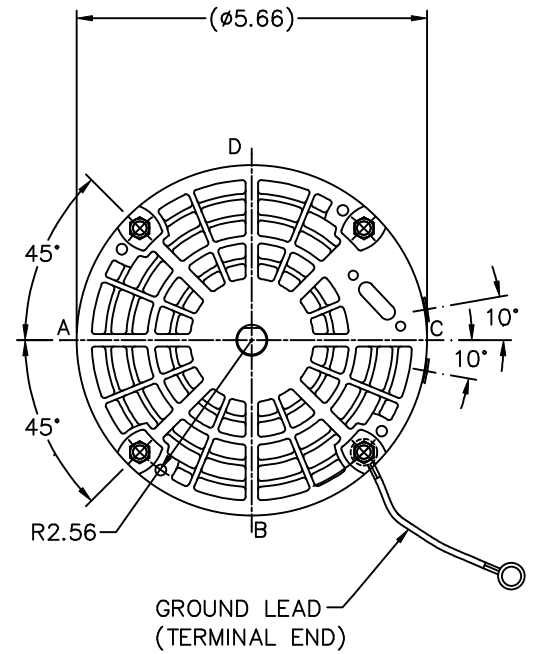
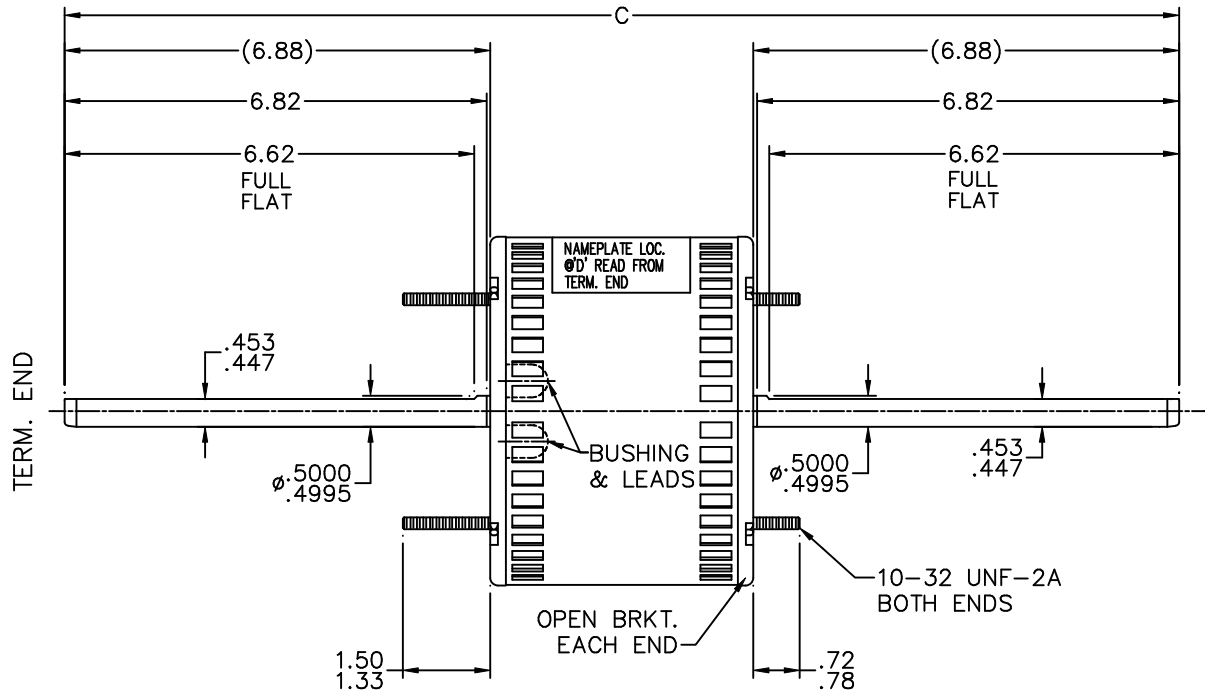
Nameplate Specifications

Output HP	0.33 Hp	Output KW	0.25 kW
Frequency	60 Hz	Voltage	208-230 V
Current	2.1-2.3 A	Speed	1075 rpm
Service Factor	1	Phase	1
Efficiency	59 %	Duty	Continuous
Insulation Class	B	Design Code	NO DESIGN CODE
KVA Code	B	Frame	48Y
Enclosure	Open Air Over	Overload Protector	Auto Lock Rotor Only
Ambient Temperature	40 °C	Drive End Bearing Size	6203
Opp Drive End Bearing Size	6203	UL	Recognized
CSA	Y	CE	N
IP Code	10		

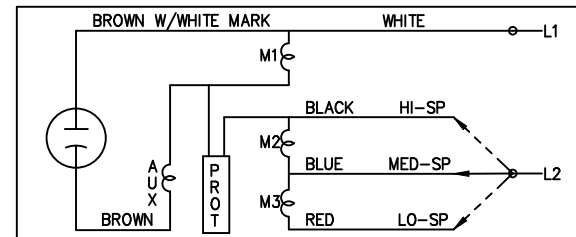
Technical Specifications

Electrical Type	Permanent Split Capacitor	Starting Method	Across The Line
Poles	6	Rotation	Fixed Counterclockwise
Mounting	Round - Extended Studs	Motor Orientation	Horizontal
Drive End Bearing	Ball	Opp Drive End Bearing	Ball
Frame Material	Rolled Steel	Shaft Type	Single Special Extension
Overall Length	17.75 in	Frame Length	3.75 in
Shaft Diameter	0.500 in	Shaft Extension	6.88/6.88 in
Assembly/Box Mounting	F1 Only		
Outline Drawing	B-SS403646-375	Connection Diagram	9511964

This is an uncontrolled document once printed or downloaded and is subject to change without notice. Date Created: 06/29/2018



LEAD DESCRIPTION:
 1 WHITE, 1 BLACK, 1 RED, & 1 BLUE W/.50 BARE WIRE STRIPPED. 36.00-39.00" LONG
 1 BROWN AND 1 BROWN W/WHITE W/.25 FLAG TYPE QUICK CONNECTS. 12.00-14.00" LONG
 GREEN GROUND LEAD W/TERM. FOR #10 SCREW 12.00-13.00" LONG @ TERM. END



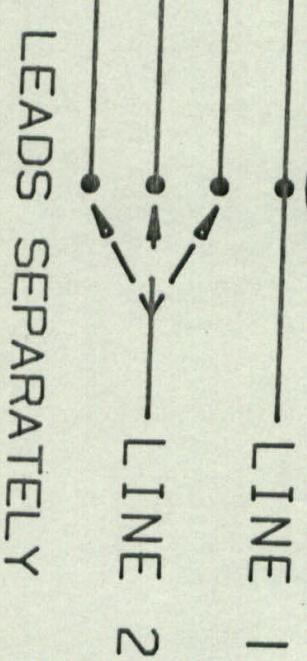
DASH	FR	C			
400		18.00			
375		17.75			

		TOLERANCES UNLESS SPECIFIED	
DEC.	INCHES		
.X	±.1		
.XX	±.03		
.XXX	±.005		
.XXXX	±.0005		
NO.	REVISION	BY & DATE	CHK ANG ±7'30" FINISH
			RFP 11-01-2007
THIS DRAWING IN DESIGN AND DETAIL IS OUR PROPERTY AND MUST NOT BE USED EXCEPT IN CONNECTION WITH OUR WORK ALL RIGHTS OF DESIGN AND INVENTION ARE RESERVED THIS IS AN ELECTRONICALLY GENERATED DOCUMENT - DO NOT SCALE THIS PRINT			DIST WP

		DRAWN SP 11-01-2007
		CHK NB 11-01-2007
TITLE OUTLINE		APPD SP 11-01-2007
MAT'L		SCALE 1=2
FINISH		REF
CAD FILE SS403646		FMF 07-2082
SIZE B	DRAWING NO. SS403646	PAGE OF REV.


A- 9511964

ON  95119640



CE ROUGHNESS
S NOTED OTHERWISE

UNLESS OTHERWISE SPECIFIED DIMENSIONS ARE IN INCHES
TOL ON XX# XXX#.005 XXXX#.0005 ANGLES#

 **MARPATHON**
WRESTLING
WAUSAU, WISCONSIN 54401

DRAWN BY	TOM	3-31-89
CHKD BY		
APPD BY		

ON DIAGRAM

DRWG NO
A- 9511964

